



ENGINEERING INNOVATION  
WORLDWIDE

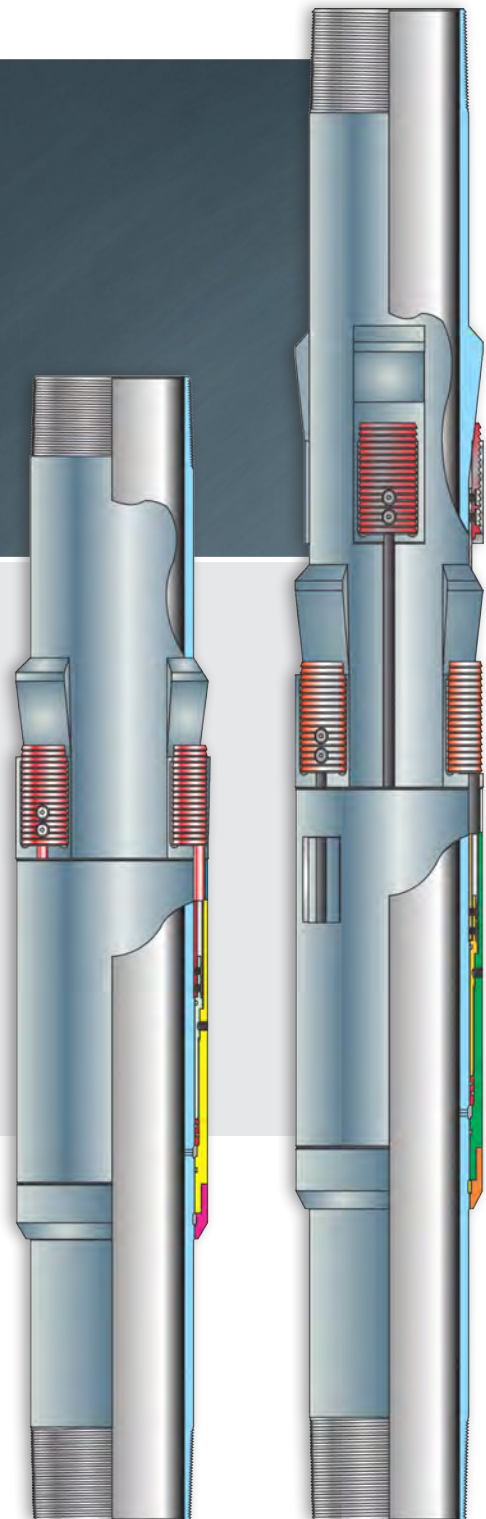
## Liner Hanger Systems | Liner Hanger

### IB-DD Hydraulic Set Liner Hanger

The TIW® IB-DD Hydro Hanger is an “Integral Barrel Drill Down” design, providing the operator the ability to rotate and/or reciprocate the liner to bottom without fear of premature setting of the hanger slips. Available in both single and tandem cone versions, the single cone design allows for maximum bypass for circulating while maintaining the ability to hang short to medium length liners. The tandem cone design allows for even greater bypass areas and is capable of hanging medium to long liners.

#### Features

- Enclosed piston, setting sleeve and slip spring arrangement that prevent drillout debris from settling in and around them thus preventing a possible hanger failure
- The streamlined design also features slips that are enclosed in a pocket and locked into place
- With the protected slips, slip springs and setting sleeve, the hanger can enter sub-sea well head stacks and existing liner tops with great ease
- Can be rotated at high revolutions without the possibility of components being detached or the hanger prematurely setting



IB-DD-SC

IB-DD-TC